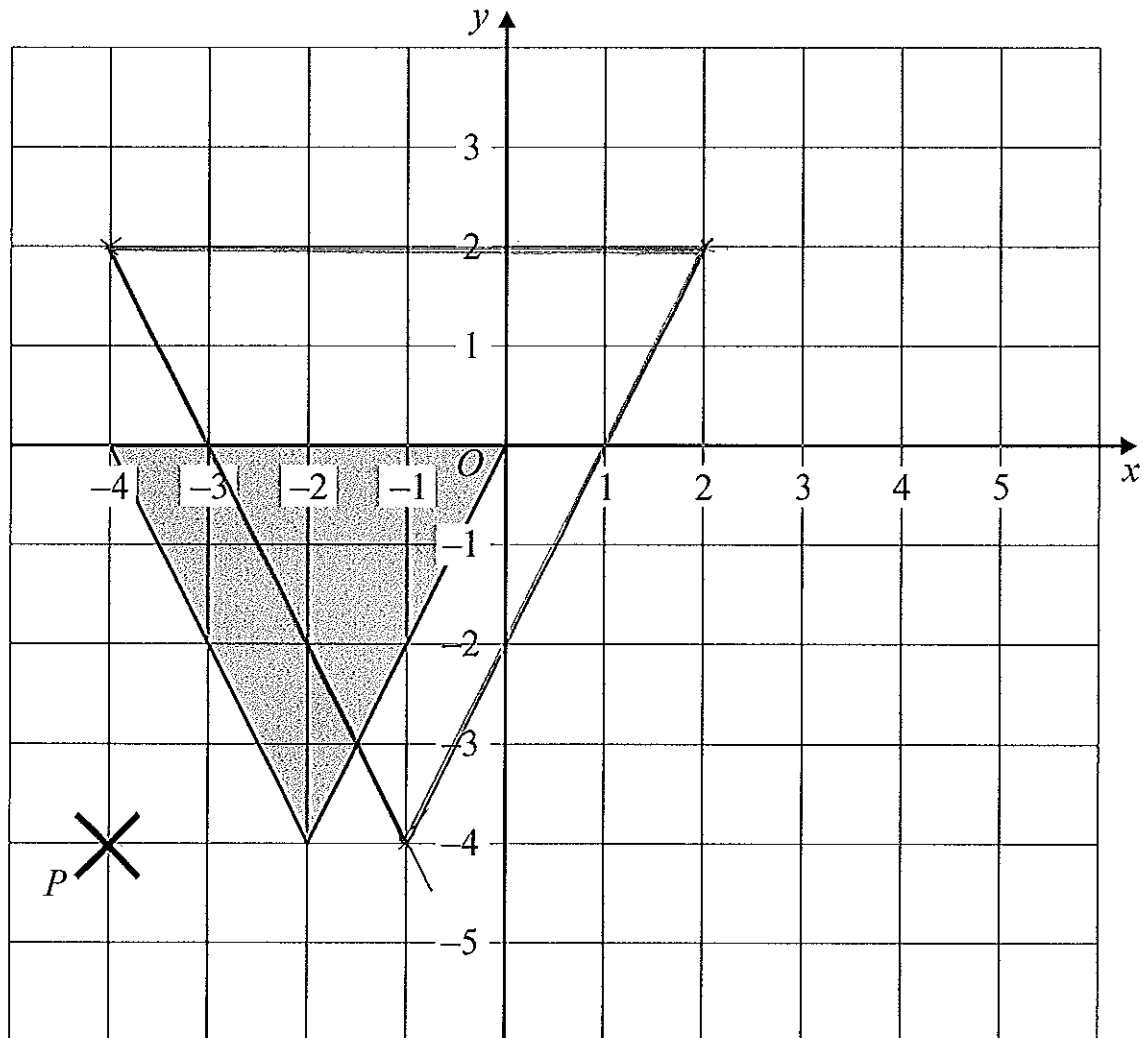


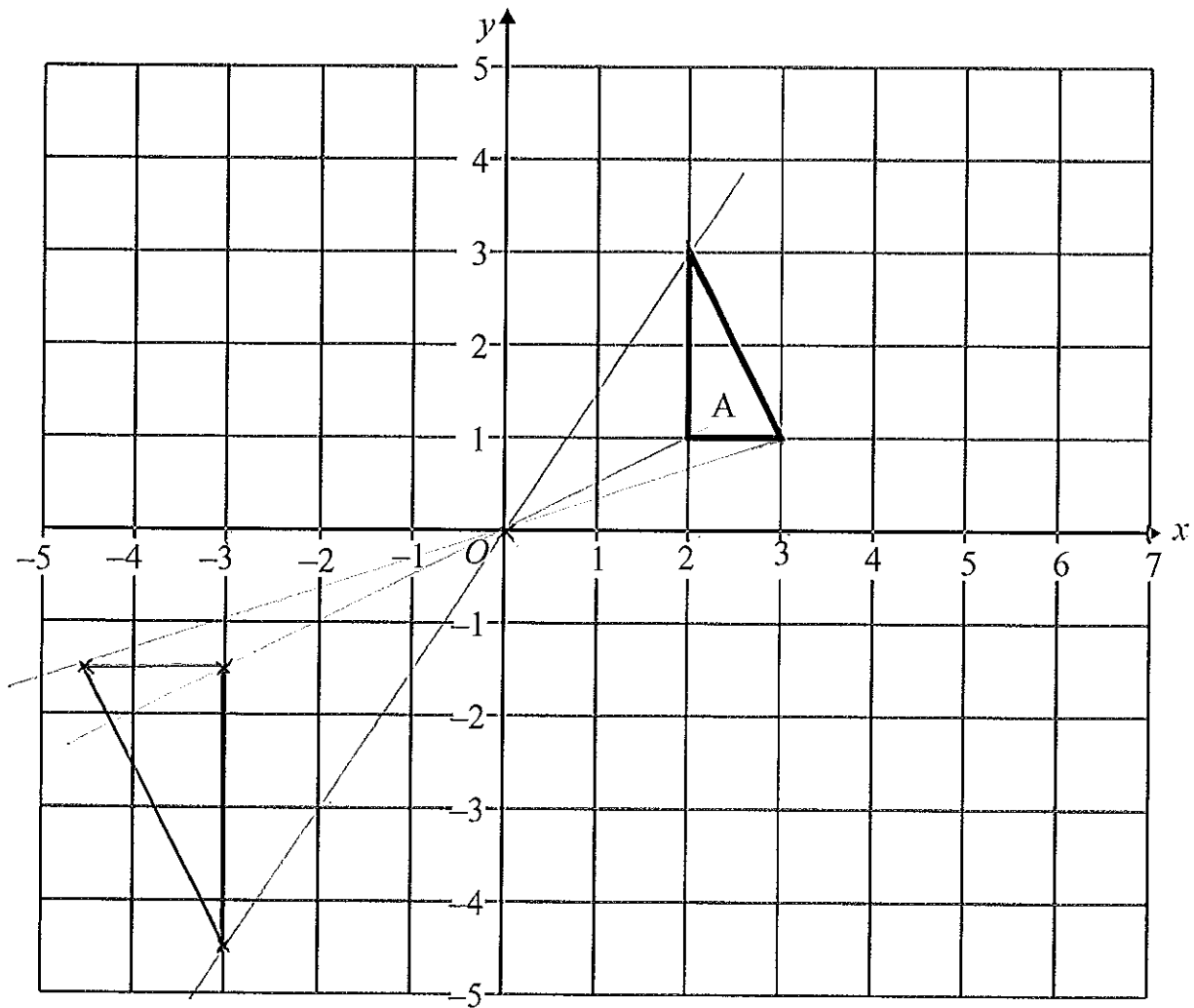
1.



Enlarge the shaded triangle by a scale factor $1\frac{1}{2}$, centre P .

(Total 3 marks)

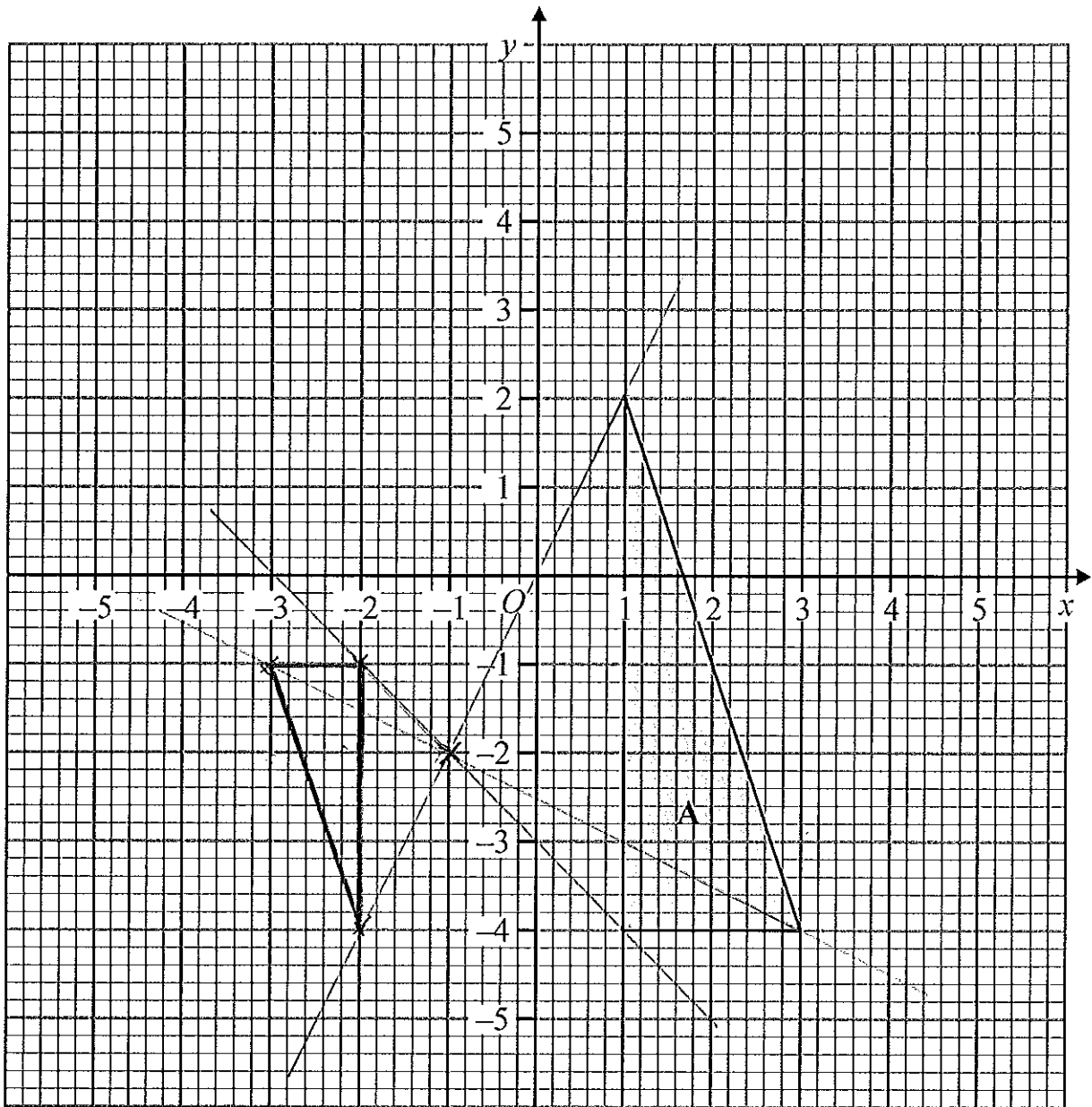
2.



Enlarge triangle A by scale factor $-1\frac{1}{2}$, centre O.

(Total 3 marks)

3.

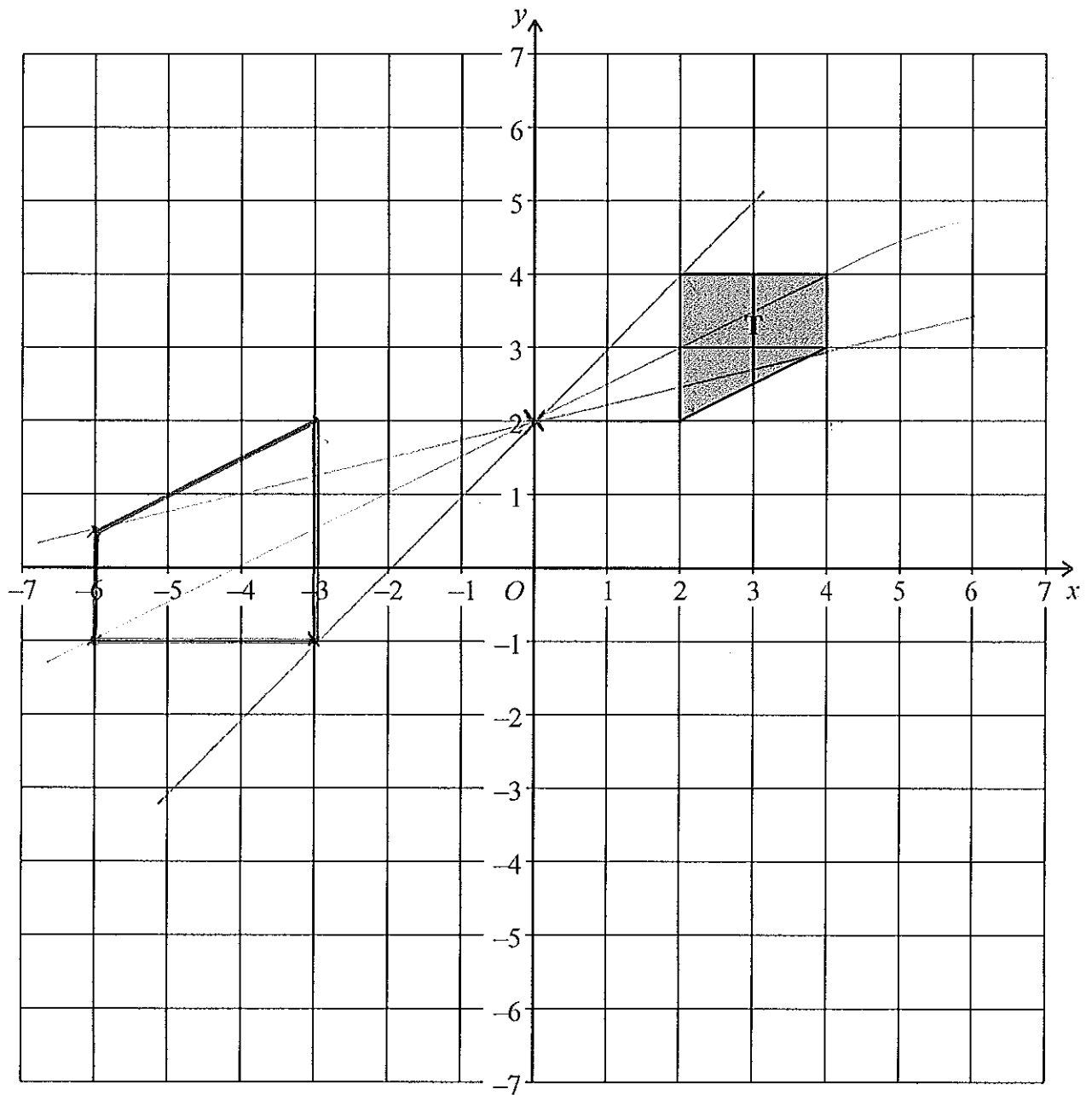


Enlarge triangle A by scale factor $-\frac{1}{2}$, centre $(-1, -2)$.

Label your triangle B.

(Total 3 marks)

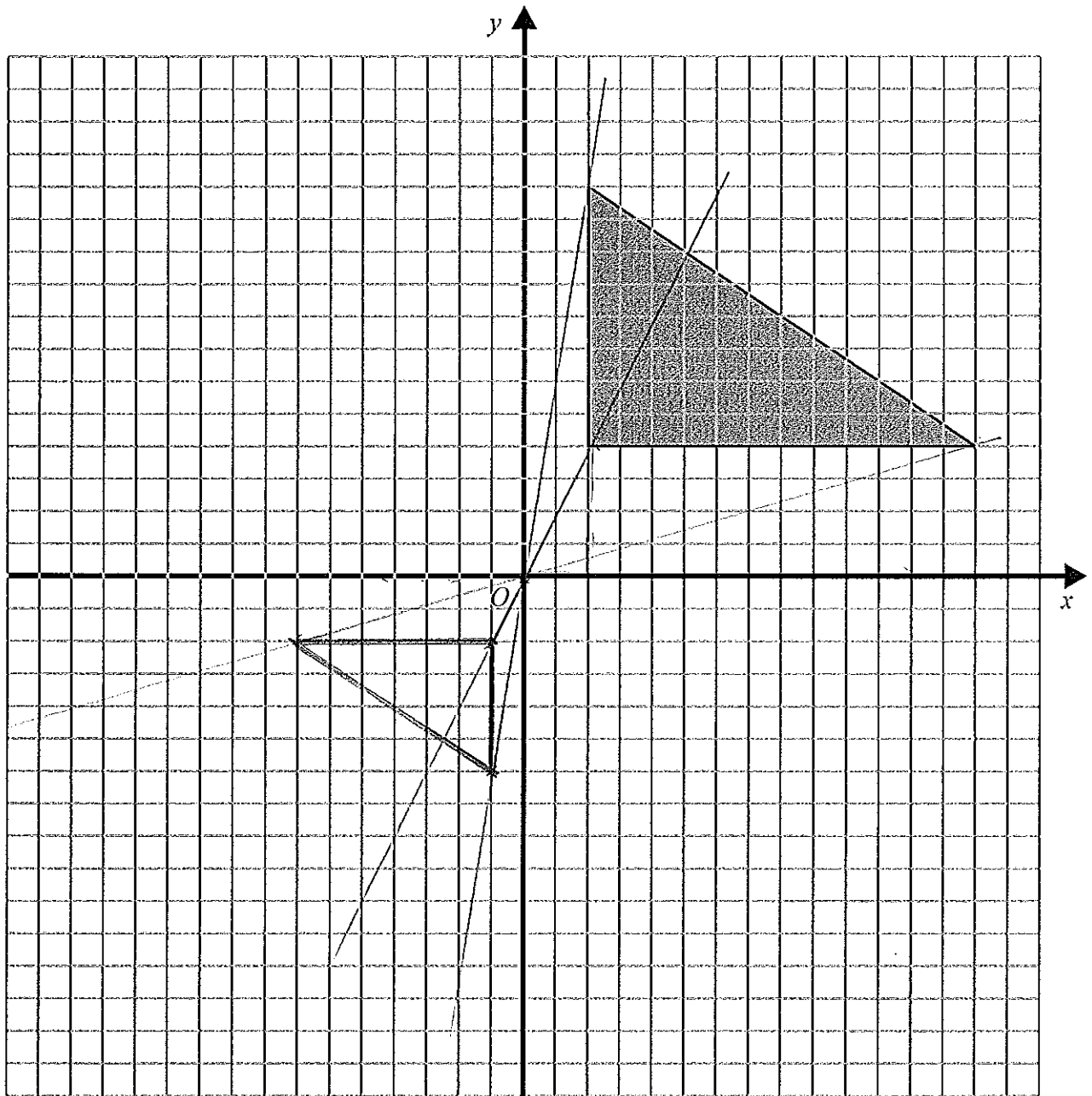
4.



Enlarge shape **T** with scale factor -1.5 , centre $(0, 2)$.

(Total 3 marks)

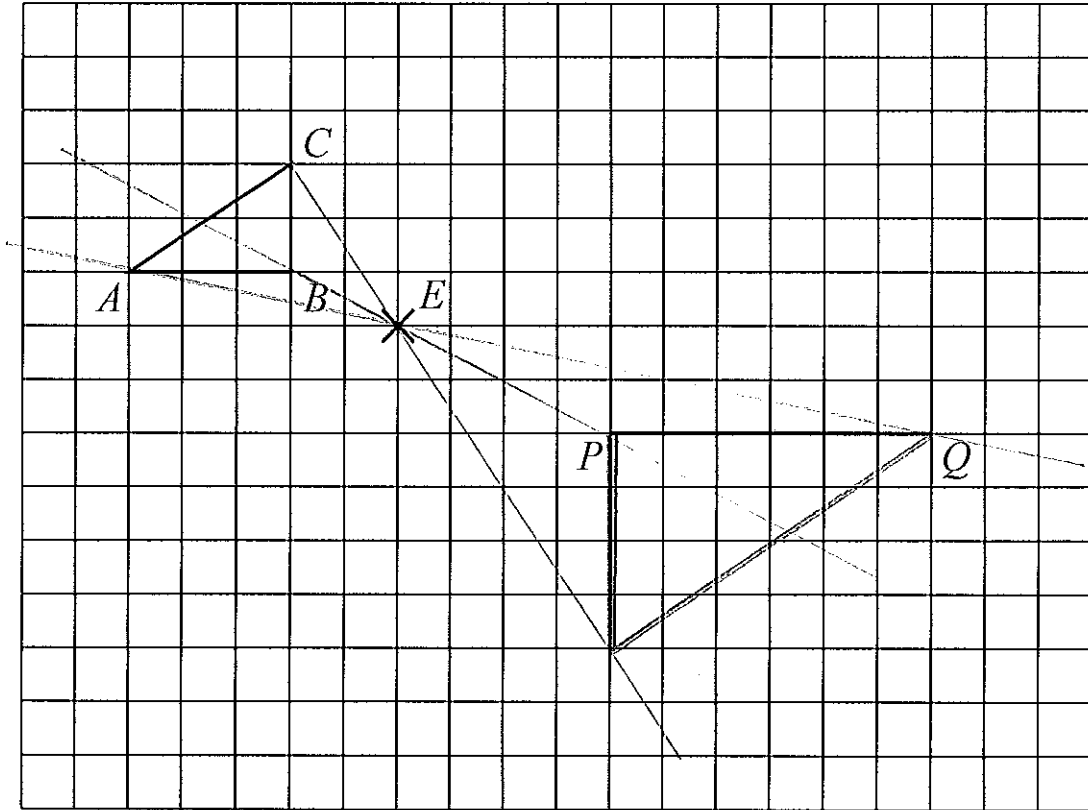
5.



Enlarge the triangle by a scale factor of $-\frac{1}{2}$, centre O

(Total 2 marks)

6. The triangle ABC is to be enlarged, using E as the centre, to give the triangle PQR . The line PQ is the image of the line BA .



- (a) Write down the scale factor of the enlargement.

..... - 2

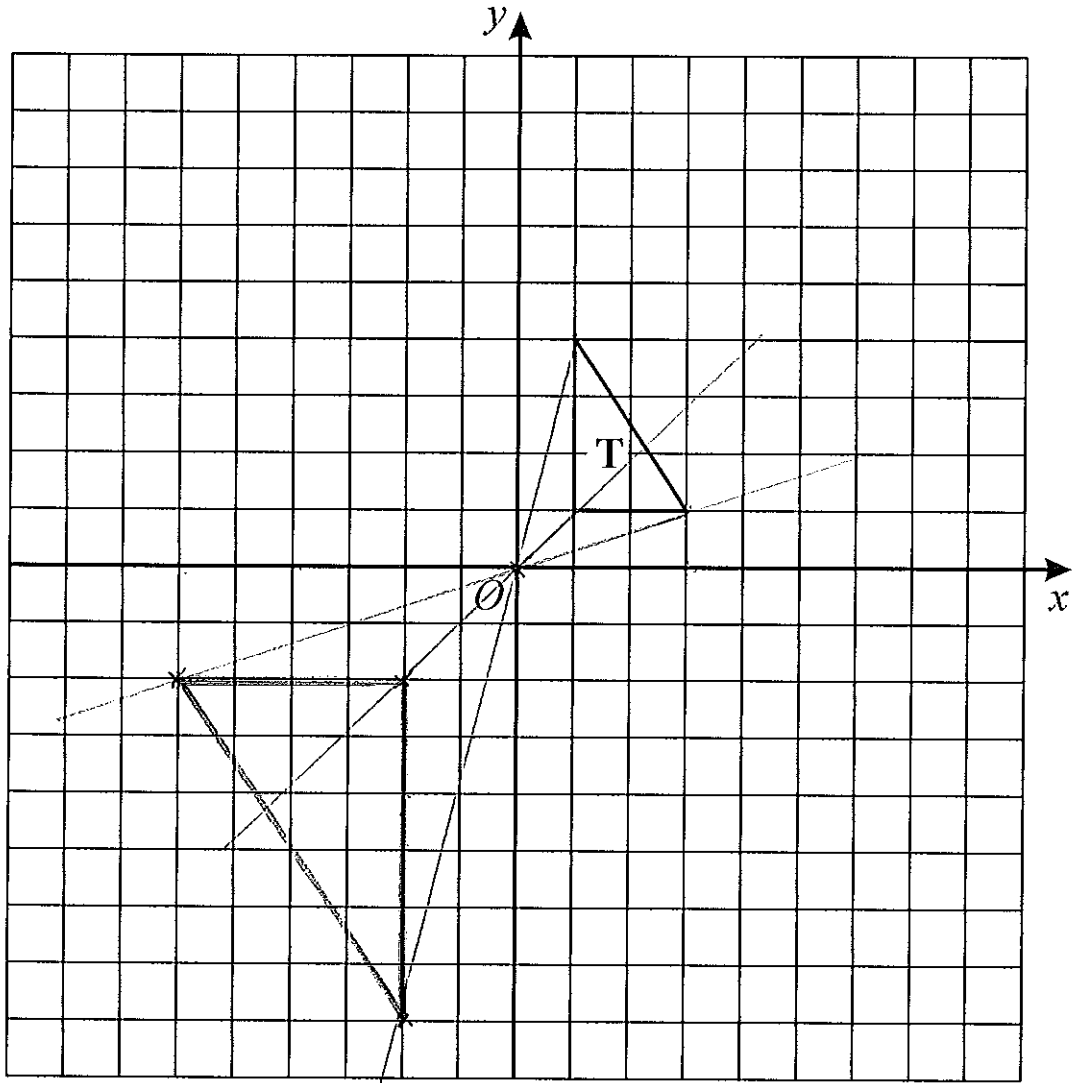
(1)

- (b) Complete the triangle PQR .

(1)

(Total 2 marks)

7.



Enlarge triangle **T**, scale factor -2 , centre O .

(Total 2 marks)